

DRY EVOTEK COUPLINGS



DEC – Dry Evotek Couplings stands for another generation of dry disconnect couplings, that is specially made for use in the chemical industry.

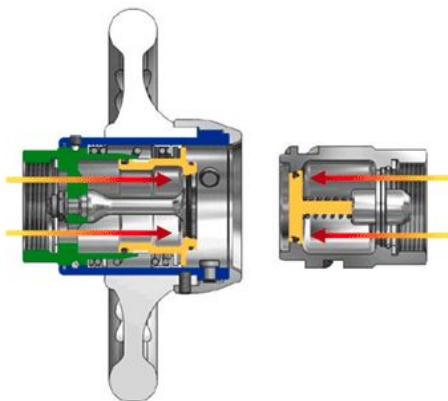
The external cam curve is ergonomically designed and allows coupling against pressure in the tank unit. Rotating the coupling 120° clockwise opens the valves where the high engagement between hose and tank unit ensures a strong connection.

If the coupling halves are disconnected, their inner valves close the line securely. Once coupled, the valves open the flow cross-section with minimum pressure loss. No moving parts interfere with the flow, which makes cleaning easier. Turning the coupling counter clockwise, the valves close due to spring force. Continuing to rotate will separate the coupling halves without significant effort.

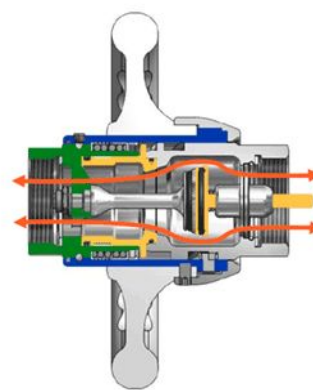
The advantages with DEC, Dry Evotek Couplings

- Low connecting forces even against pressure
- Ergonomic handle (DN40 and bigger)
- Good transmission ratio in the cam curve
- Wide range of chemical resistance due to selection of high quality materials
- Minimized spillage during decoupling

How DEC works



DEC Hose unit and tank unit, disconnected and closed



DEC Hose unit and tank unit, connected and open with full flow

Technical data for DEC

SIZES	DN25, DN32, DN40, DN50 and DN80 Others on request
MATERIAL	Stainless Steel 1.4404 Handle PE (DN40 and bigger) Others on request
CONNECTION	BSP female thread Flange EN1092 (DIN) integrated Others on request
SEALS	Seals
ACCESSORIES	Dustcap Dustplug Special options on request
APPROVALS	Approved acc. to PED 2014/68/EU 4.3 Approved acc. to ATEX 2014/34/EU Category 3G

Dimensions:**Hose unit BSP female thread:**

ART.-NO.		Ø	D1	D2	L1	SW	WEIGHT
	(INCH)	(DN)	(MM)	(MM)	(MM)		(KG)
SS103A4401A	1"	25	59,5	54,5*	90	38	0,82
SS105A4401A	1¼"	32	76	66*	105	48	1,35
SS207A4401A	1½"	40	89	200*	113	56	2,61
SS210A4401A	2"	50	106	220*	126	68	2,80
SS414A4401A	3"	80					

Hose unit flange EN1092 PN10/16:

ART.-NO.		Ø	D1	D2	D3	L1	WEIGHT
	(INCH)	(DN)	(MM)	(MM)	(MM)	(MM)	(KG)
SS123A4401	1"	25	59,5	115	54,5*	103	2,07
SS125A4401	1¼"	32	76	140	66*	115	3,14
SS227A4401	1½"	40	89	150	200*	134	4,74
SS230A4401	2"	50	106	165	220*	140	5,29

Tank unit BSP female thread

ART.-NO.		Ø	D1	L1	L2	SW	WEIGHT
	(INCH)	(DN)	(MM)	(MM)	(MM)		(KG)
TS103A4401A	1"	25	44	53	42	38	0,29
TS105A4401A	1¼"	32	54	65	54	48	0,51
TS207A4401A	1½"	40	62,5	76	61	56	0,77
TS210A4401A	2"	50	80	84	66	68	1,20
TS414A4401A	3"	80					

Tank unit flange EN1092 PN10/16:

ART.-NO.		Ø	D1	D2	L1	L2	WEIGHT
	(INCH)	(DN)	(MM)	(MM)	(MM)	(MM)	(KG)
TS123A4401	1"	25	44	115	58	40	1,50
TS125A4401	1¼"	32	54	140	70	52	2,25
TS227A4401	1½"	40	62,5	150	72	54	2,68
TS230A4401	2"	50	80	165	80	62	3,48